

FEATURES

- Isolated linear output from a standard or non-standard input process signal.
- Factory calibrated for various input and output signals.

APPLICATIONS

- Process control
- Signal isolation
- Signal conversion



MODEL SELECTION

SG - □ - □ - □ (no dash) □

RATED INPUT		RATED OUTPUT		INSTRUMENT POWER		ADJUSTMENT OPTION	
1	0-1mA _d c	01	0-1mA _d c	H	115V _a c	(Blank)	±10% Output Span Adj. ±1% Zero Adj.
2	0-10V _d c	02	0-10V _d c	G	230V _a c		1
3	0-5V _d c	03	0-5V _d c	5 YEAR WARRANTY		2	+10% Output Span Adj. 50% Zero Adj.
4	1-5V _d c	04	1-5V _d c			3	50% Output Span Adj. 50% Zero Adj.
5	0-20mA _d c	05	0-20mA _d c				
6	4-20mA _d c	06	4-20mA _d c				
7	20-4mA _d c	07	0-5mA _d c				
8	10-50mA _d c	08	4-20mA loop powered				
		09	4-12-20mA _d c				

ORDERING INFORMATION

Example:
4-20mA_dc Input and 0-1mA_dc Output, 115V_ac Instrument Power, Adj. Option 1

SG-6-01-H1

SPECIFICATIONS

INPUT

Type (See Table)
 Burden
 0-1mA models 1kΩ
 0-5V, 0-10V and 1-5V models min. 100kΩ
 0-20mA, 4-20mA and 20-4mA models 250Ω
 10-50mA models 100Ω
 Over-range 2 X rated input.
 Response Time 1ms

DIELECTRIC TEST

Input to Output 1000V_dc
 Input/Output to Instrument Power 1500V_dc

INSTRUMENT POWER

Standard (option H) 95-135V_ac, 50-400Hz, 3.5VA
 Option G 230V_ac, 50-60Hz
 Optional DC instrument power Consult Factory

OUTPUT

Loading
 0-1mA models 0-10kΩ
 0-5mA models 0-2.4kΩ
 0-5V, 0-10V models >2kΩ
 1-5V models >2kΩ
 0-20mA, 4-20mA & 4-12-20mA models 0-600Ω
 Response Time 10ms

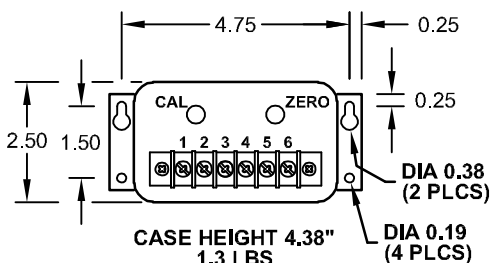
ACCURACY

Set Point ±0.25% F.S.
 Linearity ±0.1% F.S.
 Output Ripple <±0.5% F.S.

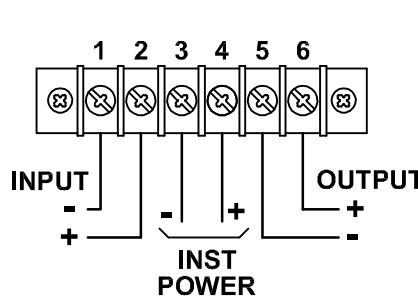
TEMPERATURE & PHYSICAL

Temperature Operating Range -20°C to 65°C
 Temperature Effect ±0.01%/°C
 Termination #14 AWG max.

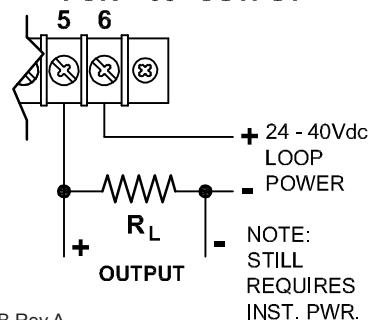
CASE DIMENSIONS AND CONNECTION DIAGRAMS



ALL DIMENSIONS IN INCHES.
 TOLERANCE: ±0.03 INCHES.



FOR "-08" OUTPUT



Dwg# 0902-00886-B Rev A